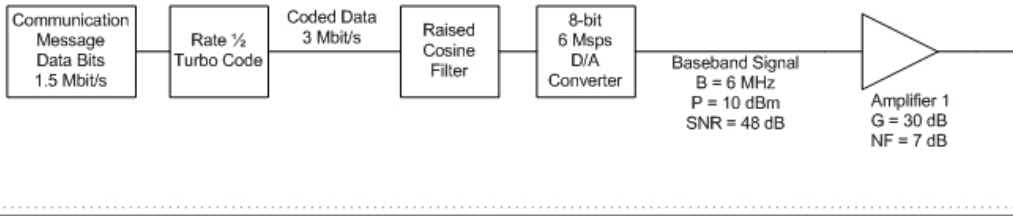
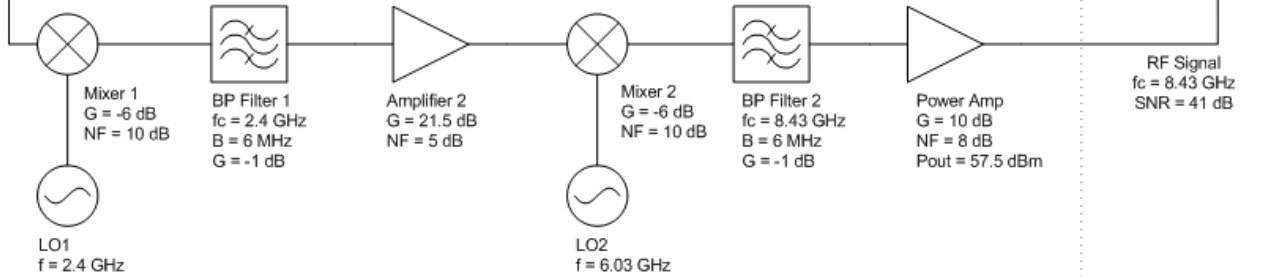


Satellite-to-Earth Link Tx Chain

Digital Block

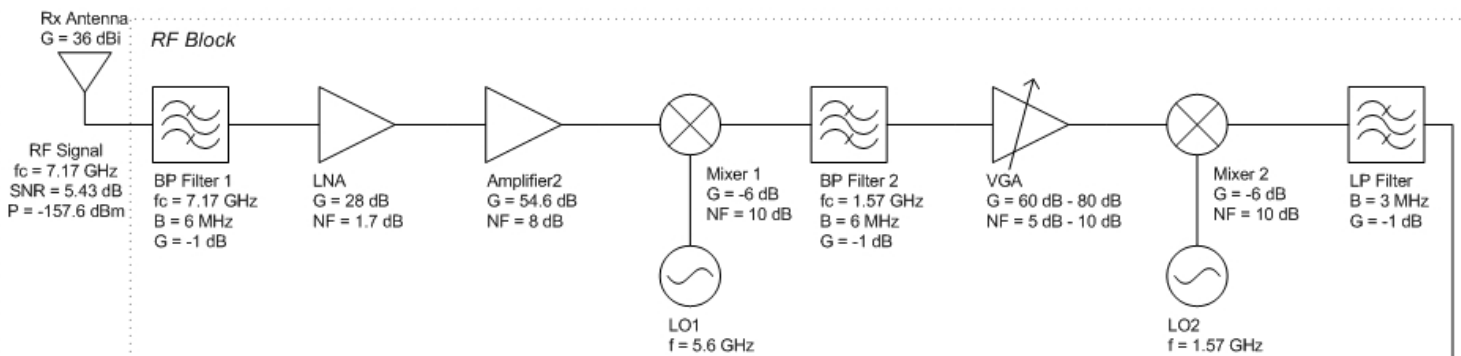


RF Block

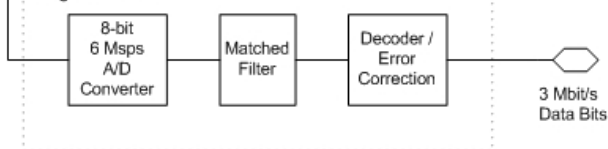


Satellite-to-Earth Link Rx Chain

RF Block



Digital Block



Baseband Signal
B = 3 MHz
P = -10 dBm
SNR = 3.35 dB

Satellite-to-Satellite Link Transceiver

